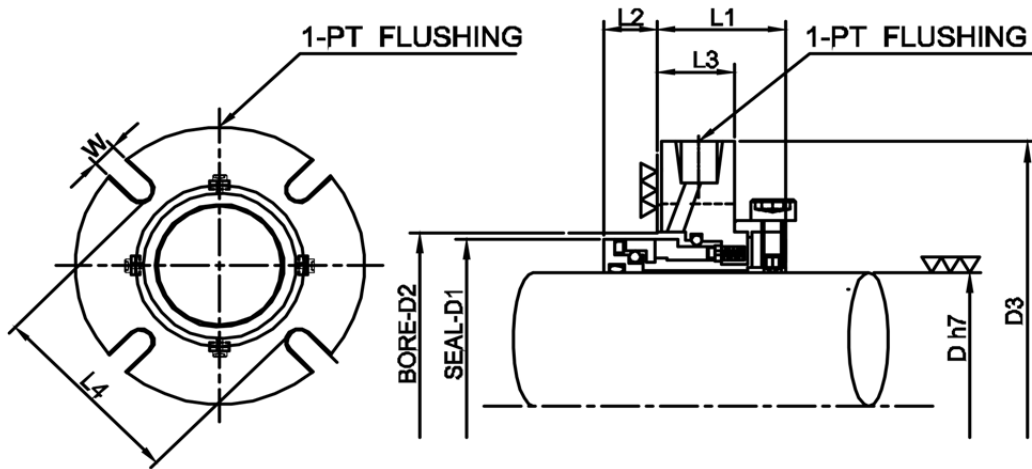


TYPF FW510

Single cartridge pusher seals



Type FW510 dimensions

METRIC SIZES

SIZE	D	D1	D2		D3	L1	L2	L3	L4	W
			MIN	MAX						
20	20	34.5	36.0	49.0	105.0	57.5	23.1	33.0	56.0	12.0
24	24	38.5	40.0	49.0	105.0	57.5	23.1	33.0	56.0	12.0
25	25	39.5	41.0	51.0	105.0	57.5	23.1	33.0	59.0	12.0
28	28	43.5	45.0	52.5	108.0	57.5	23.1	33.0	59.0	12.0
30	30	44.5	46.0	57.0	108.0	57.5	23.1	33.0	61.0	12.0
32	32	46.0	47.5	59.0	115.0	57.5	23.1	33.0	67.0	14.0
33	33	47.5	49.0	59.0	115.0	57.5	23.1	33.0	67.0	14.0
35	35	49.5	50.8	59.0	115.0	57.5	23.1	33.0	67.0	14.0
38	38	56.0	58.0	69.0	118.0	57.5	23.1	33.0	75.0	14.0
40	40	56.0	58.0	69.0	127.0	57.5	23.1	33.0	75.0	14.0
43	43	61.0	63.0	69.0	133.0	57.5	23.1	33.0	75.0	14.0
45	45	61.0	63.0	75.0	133.0	57.5	23.1	33.0	75.0	14.0
48	48	68.0	69.0	76.0	133.0	57.5	23.1	33.0	90.0	14.0
50	50	68.0	70.0	76.0	138.0	57.5	23.1	33.0	90.0	14.0
53	53	68.0	70.0	84.0	145.0	57.5	23.1	33.0	90.0	14.0
55	55	68.0	70.0	84.0	145.0	57.5	23.1	33.0	90.0	14.0
58	58	77.0	79.5	91.0	152.0	57.5	23.1	33.0	100.0	14.0
60	60	77.0	79.5	91.0	152.0	57.5	23.1	33.0	100.0	14.0
63	63	81.5	83.5	98.5	158.0	57.5	23.1	33.0	105.0	14.0
65	65	81.5	83.5	100.0	158.0	57.5	23.1	33.0	105.0	14.0
70	70	86.0	88.0	102.0	166.0	57.5	23.1	33.0	107.0	18.0
75	75	97.0	99.0	105.0	188.0	58.5	24.6	33.0	116.0	18.0
80	80	103.0	105.0	120.0	195.0	58.5	24.6	33.0	134.0	18.0
85	85	108.0	110.0	125.0	205.0	58.5	24.6	33.0	134.0	18.0
90	90	112.0	114.0	127.0	205.0	58.5	24.6	33.0	134.0	18.0
95	95	117.0	120.0	135.0	220.0	58.5	24.6	33.0	152.0	18.0
100	100	122.0	125.0	135.0	220.0	58.5	24.6	33.0	152.0	18.0

IMPERIAL SIZES

SIZE	D	D1	D2		D3	L1	L2	L3	L4	W
			MIN	MAX						
1.000	25.4	39.5	41.0	51.0	105.0	57.5	23.1	33.0	59.0	12.0
1.125	28.6	42.0	44.0	52.5	108.0	57.5	23.1	33.0	59.0	12.0
1.250	31.8	45.5	47.5	59.0	115.0	57.5	23.1	33.0	67.0	14.0
1.375	34.9	49.5	51.0	59.0	115.0	57.5	23.1	33.0	67.0	14.0
1.500	38.1	56.0	58.0	69.0	127.0	57.5	23.1	33.0	75.0	14.0
1.625	41.3	61.0	63.0	69.0	133.0	57.5	23.1	33.0	75.0	14.0
1.750	44.5	61.0	63.0	75.0	133.0	57.5	23.1	33.0	75.0	14.0
1.875	47.6	68.0	69.0	76.0	133.0	57.5	23.1	33.0	90.0	14.0
2.000	50.8	68.0	70.0	76.0	138.0	57.5	23.1	33.0	90.0	14.0
2.125	54.0	68.0	70.0	84.0	145.0	57.5	23.1	33.0	90.0	14.0
2.250	57.2	77.0	79.5	91.0	152.0	57.5	23.1	33.0	100.0	14.0
2.375	60.3	77.0	79.5	91.0	152.0	57.5	23.1	33.0	100.0	14.0
2.500	63.5	81.5	83.5	100.0	158.0	57.5	23.1	33.0	105.0	14.0
2.625	66.7	86.0	88.0	102.0	166.0	57.5	23.1	33.0	107.0	18.0
2.750	69.9	86.0	88.0	102.0	166.0	57.5	23.1	33.0	107.0	18.0
2.875	73.0	92.0	95.0	106.0	188.0	58.5	24.6	33.0	116.0	18.0
3.000	76.2	99.5	101.5	113.0	188.0	58.5	24.6	33.0	120.0	18.0
3.250	82.6	106.0	108.0	125.0	195.0	58.5	24.6	33.0	134.0	18.0
3.375	85.7	108.0	110.0	125.0	205.0	58.5	24.6	33.0	134.0	18.0
3.500	88.9	112.0	114.0	127.0	205.0	58.5	24.6	33.0	134.0	18.0
3.625	92.1	115.0	117.0	130.0	205.0	58.5	24.6	33.0	138.0	18.0
3.750	95.3	117.0	120.0	135.0	220.0	58.5	24.6	33.0	152.0	18.0
3.875	98.4	122.0	125.0	135.0	220.0	58.5	24.6	33.0	152.0	18.0
4.000	###	122.0	125.0	135.0	220.0	58.5	24.6	33.0	152.0	18.0

•FLUSH, QUENCH, DRAIN CONNECTION AS STANDARD. •BIG SIZE IS AVAILABLE.