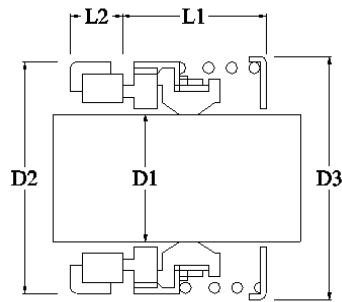


**F010**



**DIMENSION TABLE**  
INCH SIZE

ITEM NO	D1		D2		D3		L1		L2	
	SHAFT		SEAT BORE		HEAD O.D.		HEAD HEIGHT		SEAT HEIGHT	
FULL SET SEALS	INCH	MM	INCH	MM	INCH	MM	INCH	MM	INCH	MM
F0100500	0.500"	12.7	1.000	25.4	0.937	23.8	0.807	20.5	0.312	7.9
F0100625	0.625"	15.9	1.250	31.8	1.062	27.0	0.874	22.2	0.405	10.3
F0100750	0.750"	19.1	1.375	34.9	1.187	30.2	0.874	22.2	0.405	10.3
F0100875	0.875"	22.2	1.500	38.1	1.312	33.3	0.929	23.6	0.405	10.3
F0101000	1.000"	25.4	1.625	41.3	1.687	42.9	0.980	24.9	0.437	11.1
F0101125	1.125"	28.6	1.750	44.5	1.812	46.0	1.055	26.8	0.437	11.1
F0101250	1.250"	31.8	1.875	47.6	1.937	49.2	1.055	26.8	0.437	11.1
F0101375	1.375"	34.9	2.000	50.8	2.062	52.4	1.055	26.8	0.437	11.1
F0101500	1.500"	38.1	2.125	54.0	2.187	55.6	1.118	28.4	0.437	11.1
F0101625	1.625"	41.3	2.375	60.3	2.500	63.5	1.370	34.8	0.500	12.7
F0101750	1.750"	44.5	2.500	63.5	2.625	66.7	1.370	34.8	0.500	12.7
F0101875	1.875"	47.6	2.625	66.7	2.750	69.9	1.480	37.6	0.500	12.7
F0102000	2.000"	50.8	2.750	69.9	2.875	73.0	1.480	37.6	0.500	12.7
F0102125	2.125"	53.9	3.000	76.2	2.886	73.3	1.649	41.9	0.562	14.3
F0102250	2.250"	57.1	3.125	79.4	3.087	78.4	1.649	41.9	0.562	14.3
F0102375	2.375"	60.3	3.250	82.6	3.228	82.0	1.812	46.0	0.562	14.3
F0102500	2.500"	63.5	3.375	85.7	3.343	84.9	1.812	46.0	0.562	14.3
F0102625	2.625"	66.6	3.375	85.7	3.480	88.4	1.937	49.2	0.626	15.9
F0102750	2.750"	69.8	3.500	88.9	3.646	92.6	1.937	49.2	0.626	15.9
F0102875	2.875"	73.0	3.750	95.3	3.734	94.9	2.060	52.3	0.626	15.9
F0103000	3.000"	76.2	3.875	98.4	3.996	101.5	2.060	52.3	0.626	15.9
F0103250	3.250"	82.6	4.125	104.8	4.252	108.0	2.185	55.5	0.780	19.8
F0103375	3.375"	85.7	4.687	119.1	4.500	114.3	2.185	55.5	0.780	19.8



**Global**

Taipei, Taiwan  
Tel: 886-2-27859030  
Fax: 886-2-27857602

**China**

Shanghai, China  
Tel: +86-21-62847788  
Fax: +86-21-62508575